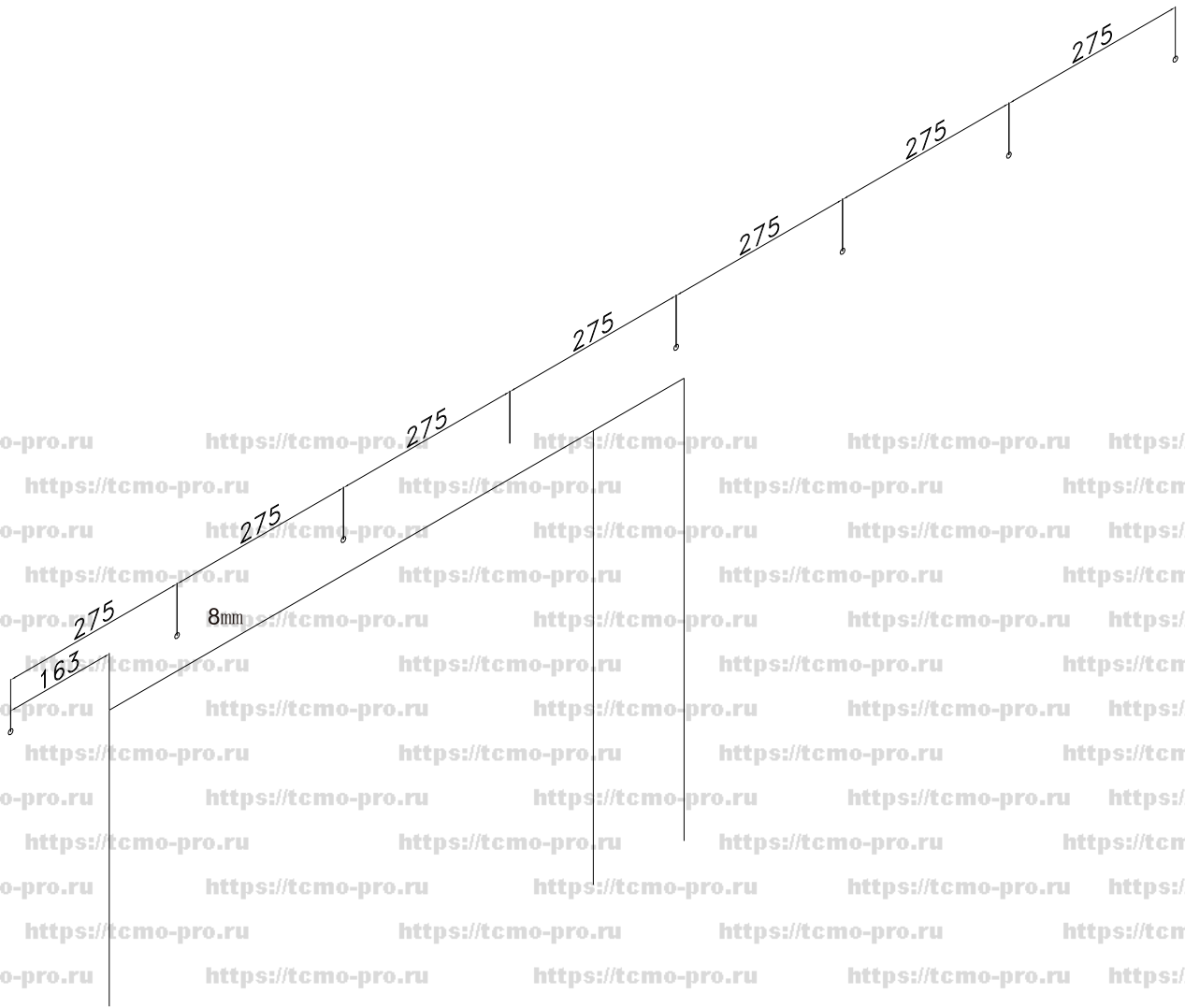
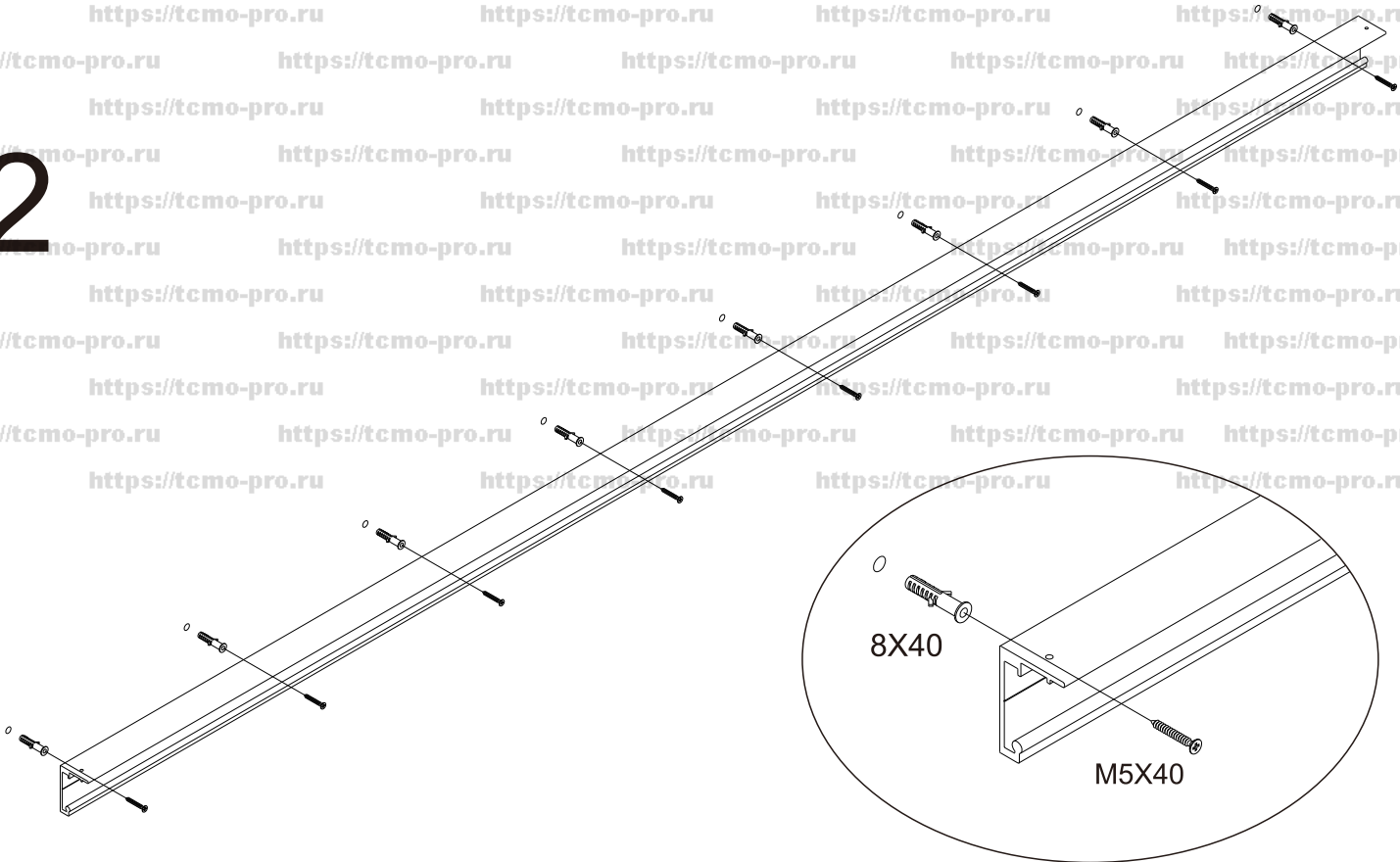
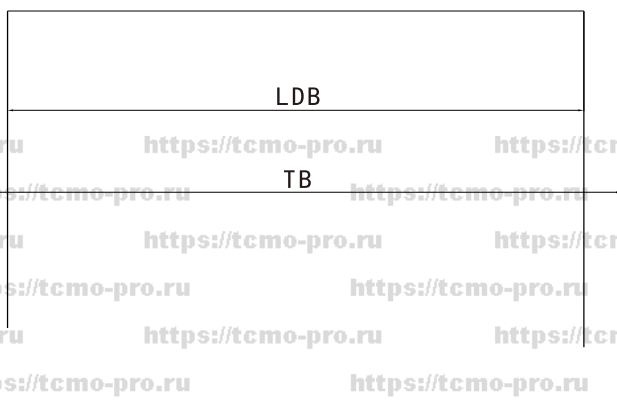
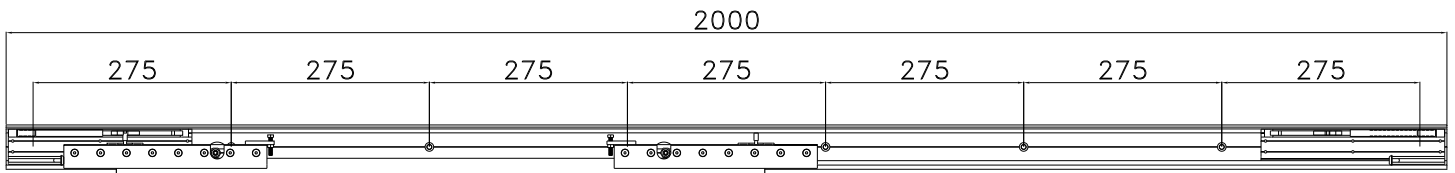


1

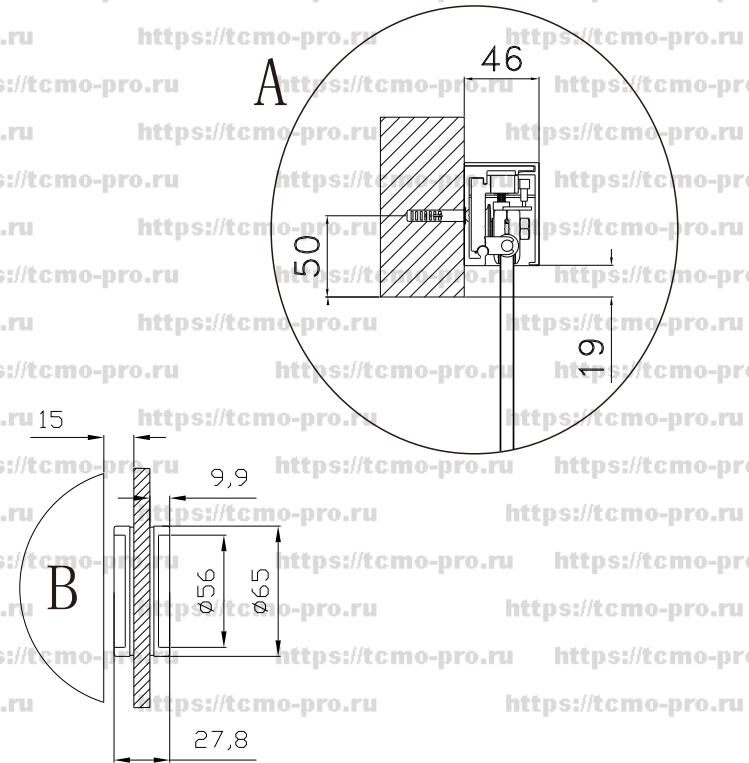
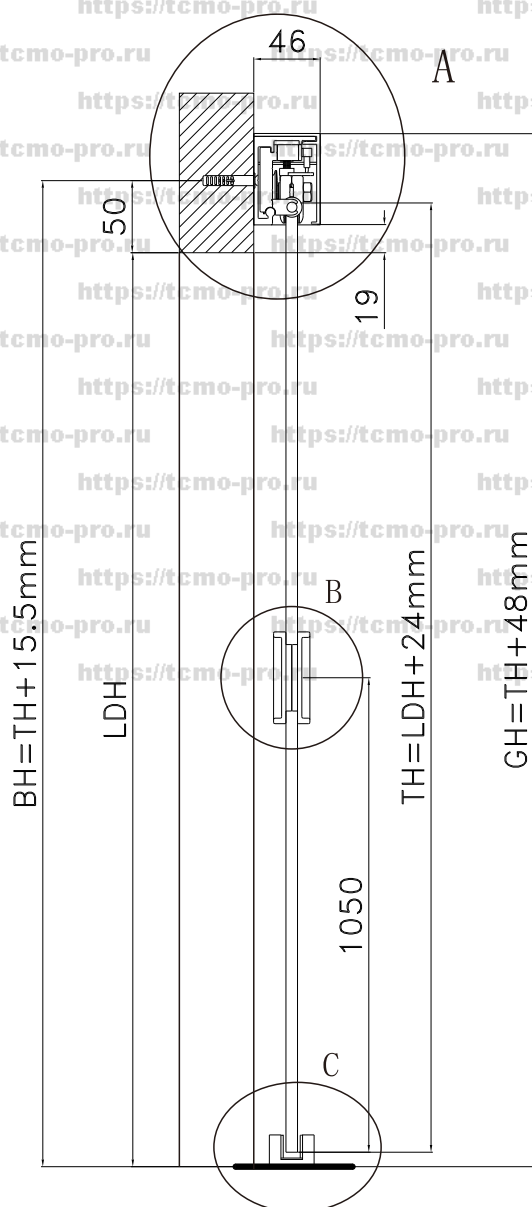


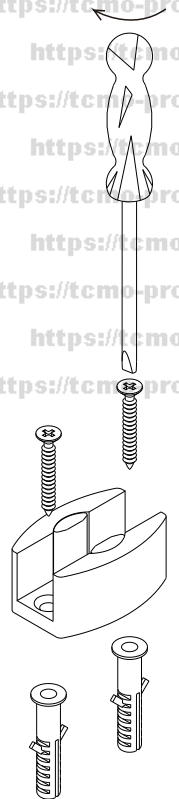
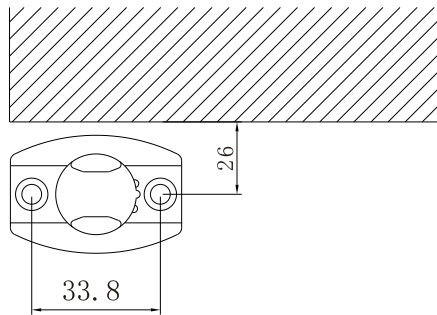
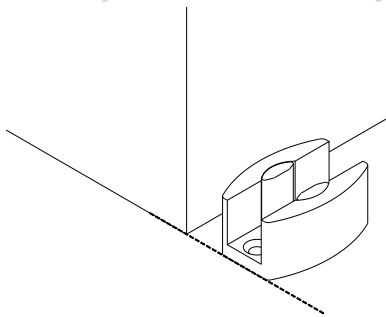
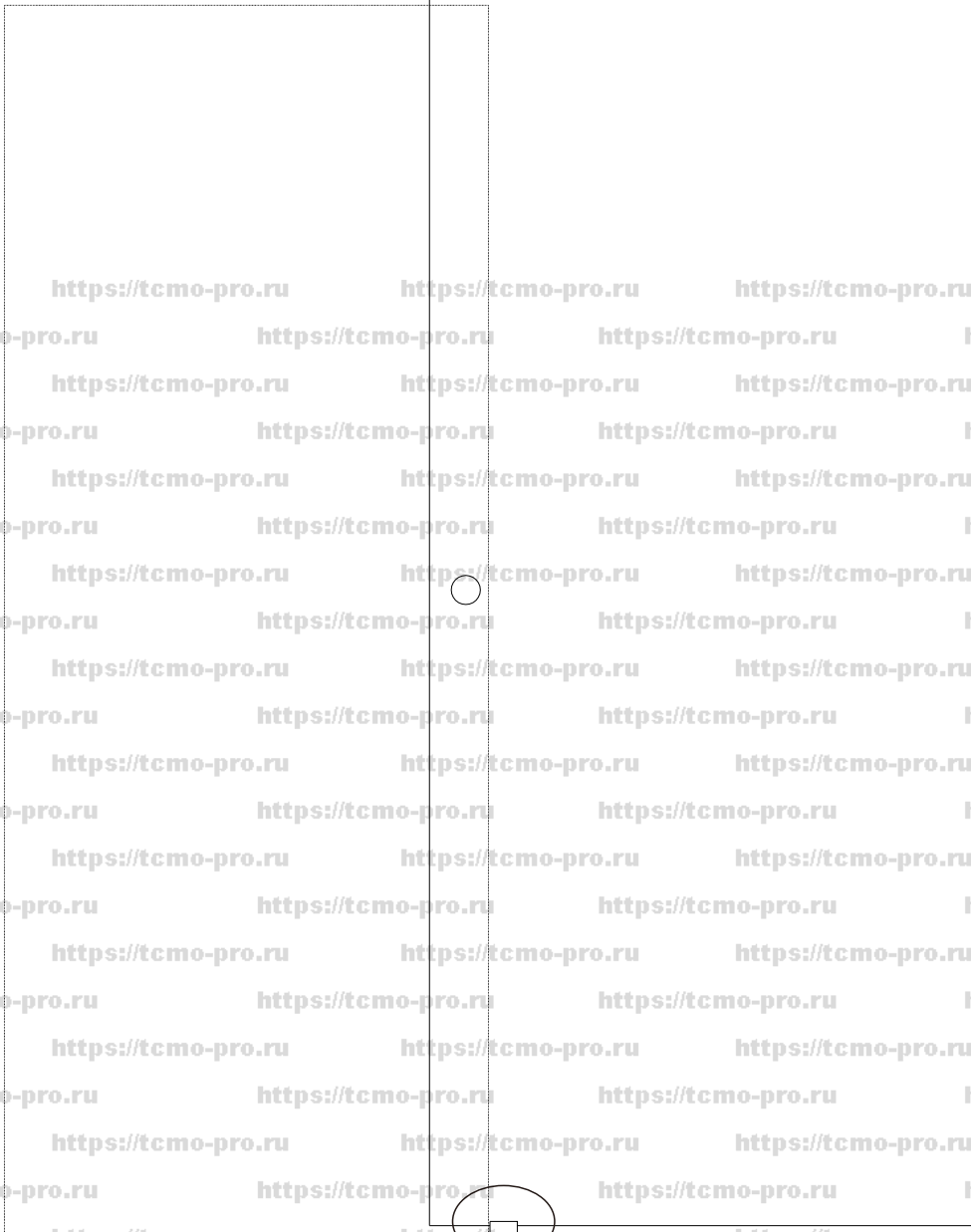
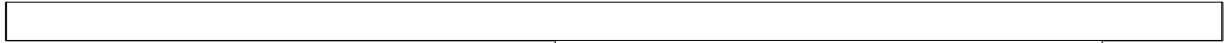
2



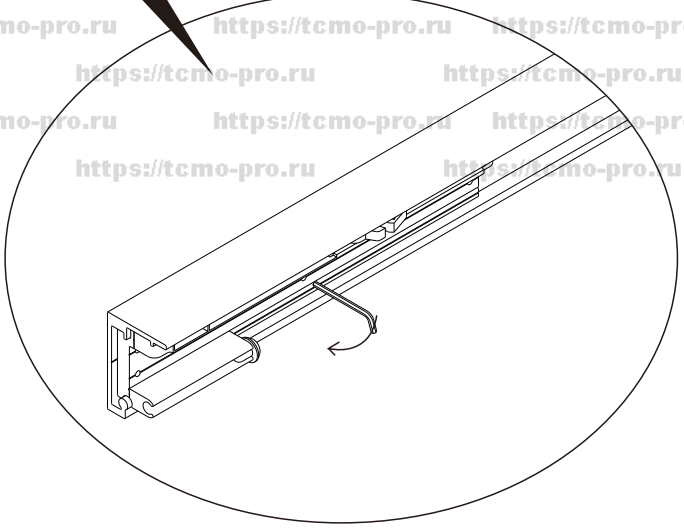
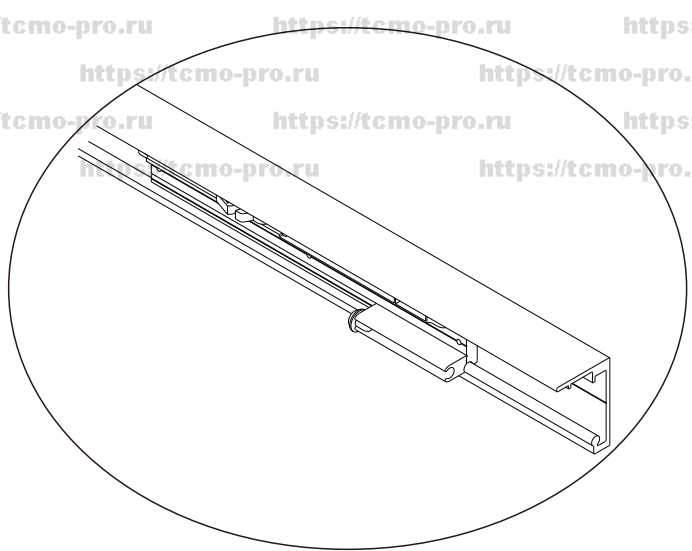
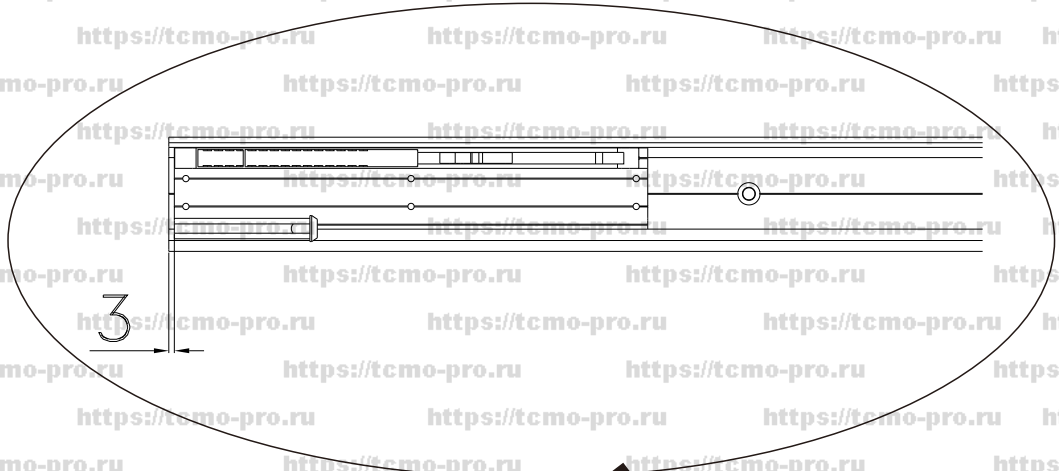
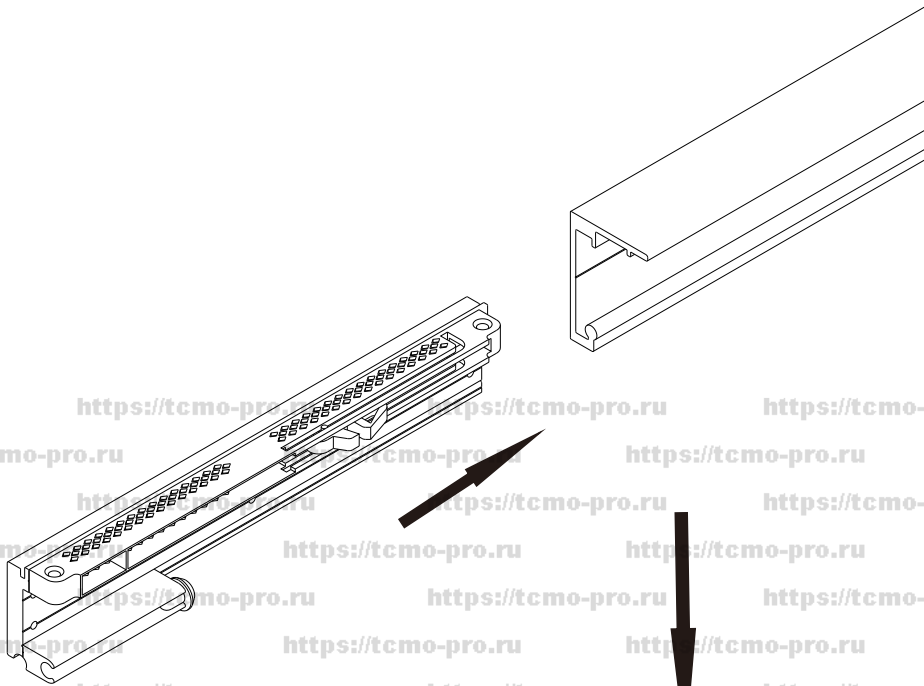


BH=The height from Screw's hole to Ground
 LDH=The height of door hole
 TH=The height of glass door
 GH=The total height of installation

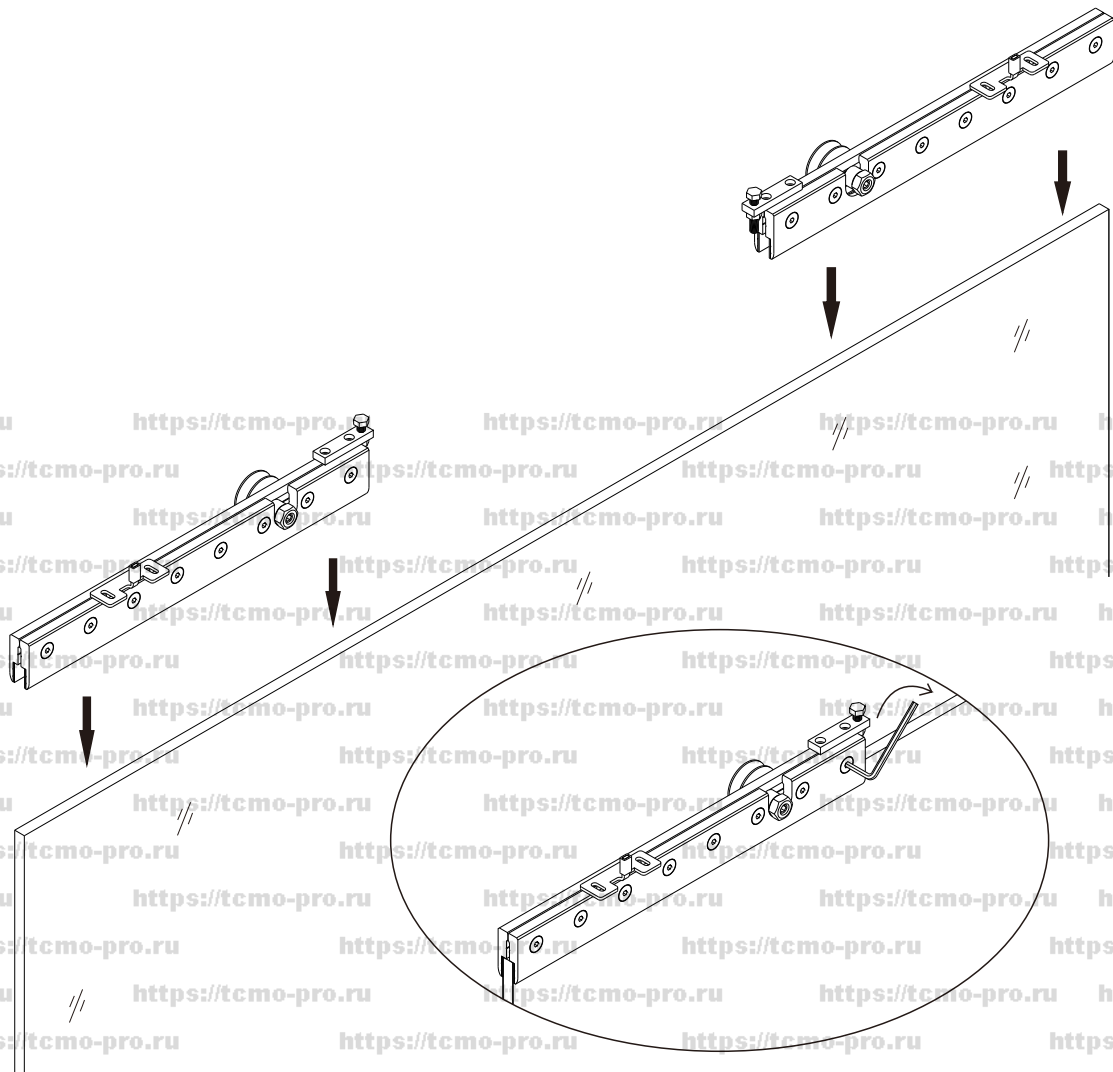




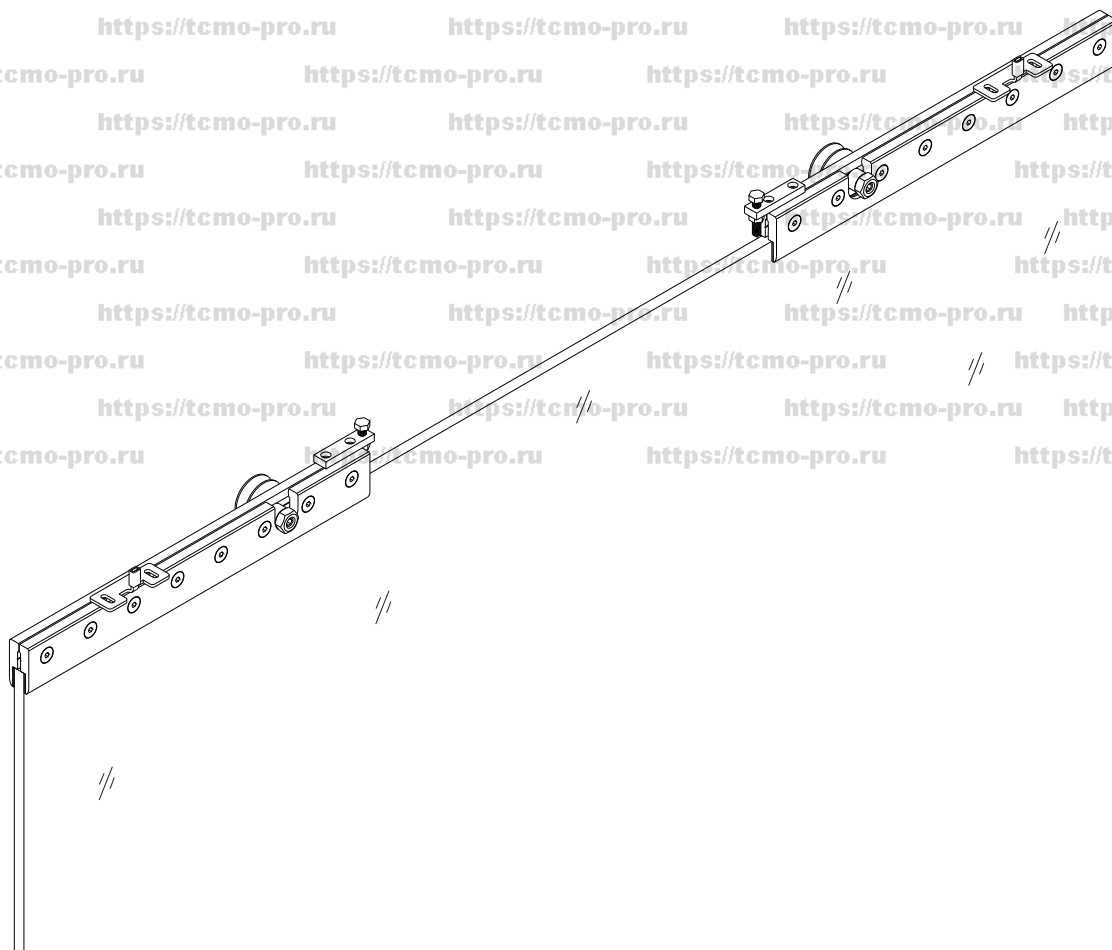
4



5



6



7

