

Е6-0L

Перв. примен.

Справ. №

A

Подп. и дата

Изм. № дубл.

Взам. инв. №

Подп. и дата

Изм. № подл.

https://tcmo-pro.ru

https://tcmo-pro.ru

https://tcmo-pro.ru

https://tcmo-pro.ru

https://tcmo-pro.ru

https://tcmo-pro.ru

https://tcmo-pro.ru

https://tcmo-pro.ru

https://tcmo-pro.ru

https://tcmo-pro.ru

https://tcmo-pro.ru

https://tcmo-pro.ru

https://tcmo-pro.ru

https://tcmo-pro.ru

https://tcmo-pro.ru

https://tcmo-pro.ru

https://tcmo-pro.ru

https://tcmo-pro.ru

https://tcmo-pro.ru

https://tcmo-pro.ru

https://tcmo-pro.ru

https://tcmo-pro.ru

https://tcmo-pro.ru

https://tcmo-pro.ru

https://tcmo-pro.ru

https://tcmo-pro.ru

https://tcmo-pro.ru

https://tcmo-pro.ru

https://tcmo-pro.ru

https://tcmo-pro.ru

https://tcmo-pro.ru

https://tcmo-pro.ru

https://tcmo-pro.ru

https://tcmo-pro.ru

https://tcmo-pro.ru

https://tcmo-pro.ru

https://tcmo-pro.ru

https://tcmo-pro.ru

https://tcmo-pro.ru

https://tcmo-pro.ru

https://tcmo-pro.ru

https://tcmo-pro.ru

https://tcmo-pro.ru

https://tcmo-pro.ru

https://tcmo-pro.ru

https://tcmo-pro.ru

https://tcmo-pro.ru

https://tcmo-pro.ru

https://tcmo-pro.ru

https://tcmo-pro.ru

https://tcmo-pro.ru

https://tcmo-pro.ru

https://tcmo-pro.ru

https://tcmo-pro.ru

https://tcmo-pro.ru

https://tcmo-pro.ru

https://tcmo-pro.ru

https://tcmo-pro.ru

https://tcmo-pro.ru

https://tcmo-pro.ru

https://tcmo-pro.ru

https://tcmo-pro.ru

https://tcmo-pro.ru

https://tcmo-pro.ru

https://tcmo-pro.ru

https://tcmo-pro.ru

https://tcmo-pro.ru

https://tcmo-pro.ru

https://tcmo-pro.ru

https://tcmo-pro.ru

https://tcmo-pro.ru

https://tcmo-pro.ru

https://tcmo-pro.ru

https://tcmo-pro.ru

https://tcmo-pro.ru

https://tcmo-pro.ru

https://tcmo-pro.ru

https://tcmo-pro.ru

https://tcmo-pro.ru

https://tcmo-pro.ru

https://tcmo-pro.ru

https://tcmo-pro.ru

https://tcmo-pro.ru

https://tcmo-pro.ru

https://tcmo-pro.ru

https://tcmo-pro.ru

https://tcmo-pro.ru

https://tcmo-pro.ru

https://tcmo-pro.ru

https://tcmo-pro.ru

https://tcmo-pro.ru

https://tcmo-pro.ru

https://tcmo-pro.ru

https://tcmo-pro.ru

https://tcmo-pro.ru

https://tcmo-pro.ru

https://tcmo-pro.ru

https://tcmo-pro.ru

https://tcmo-pro.ru

https://tcmo-pro.ru

https://tcmo-pro.ru

https://tcmo-pro.ru

https://tcmo-pro.ru

https://tcmo-pro.ru

https://tcmo-pro.ru

https://tcmo-pro.ru

https://tcmo-pro.ru

https://tcmo-pro.ru

https://tcmo-pro.ru

https://tcmo-pro.ru

https://tcmo-pro.ru

https://tcmo-pro.ru

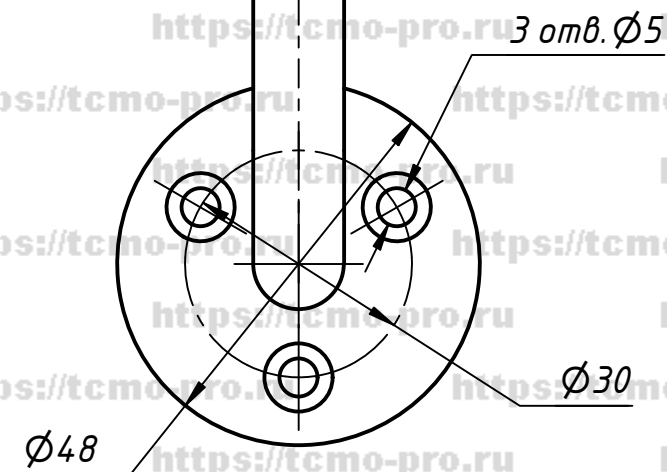
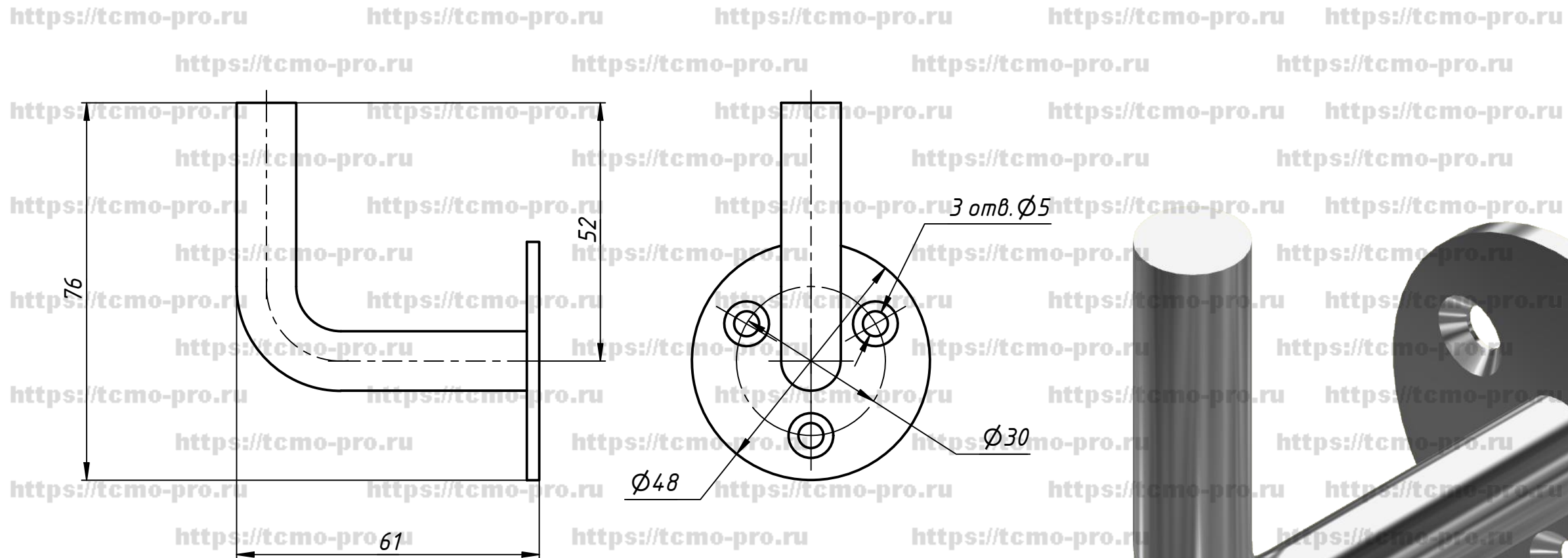
https://tcmo-pro.ru

https://tcmo-pro.ru

https://tcmo-pro.ru

https://tcmo-pro.ru

https://tcmo-pro.ru



70-93

Изм.	Лист	№ докум.	Подп.	Дата	Держатель поручня присменный под приварку	Лист	Масса	Масштаб
Разраб.	user			14.01.2020				
Пров.						Лист	Листов	1
Т. контр.								
Нач.отд.								
Н. контр.								
Утв.								